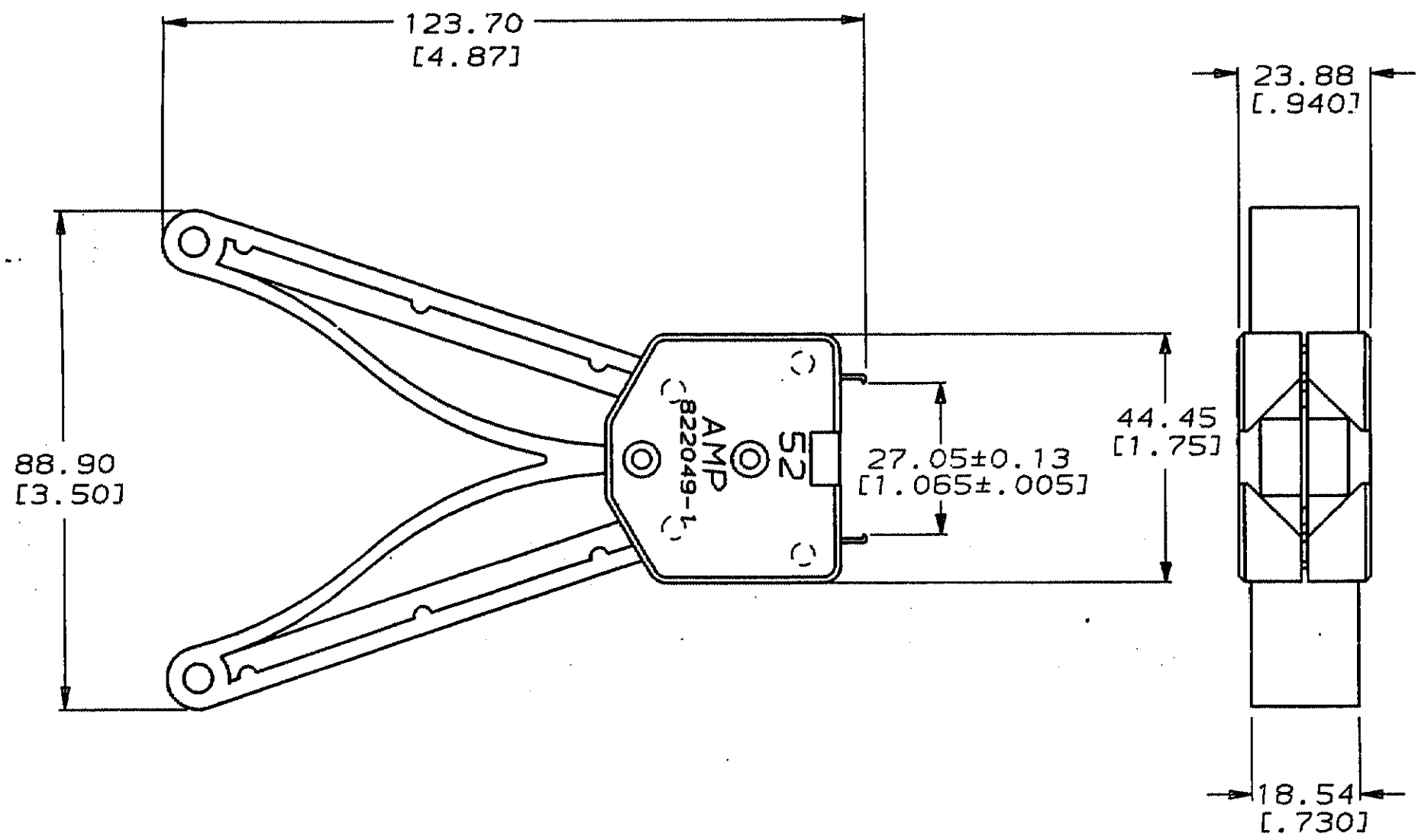


| LOC | DIST | P | F | ZONE | LTR | REVISIONS | DATE | APPD |
|-----|------|---|---|------|-----|---------------------|----------|-------|
| AG | 53 | | | | B | REVISED PER AG-3047 | 10-27-92 | PC CW |



822049-1 SHOWN

| | | | | |
|--|-------------------------|----------------------------|---|----------------------|
| DO NOT SCALE PRINT. UNLESS SPECIFIED DIMENSIONS IN mm [INCHES] TOLERANCES ON: 2 PLC DEC ± 0.2 [.01] 3 PLC DEC ± 0.25 [.010] ANGLES ± - | | DR 8-1-91 C. WHITT | PART NO | |
| MATERIAL HANDLE- POLYACETAL END CAPS- POLYACETAL HOOK- STAINLESS STEEL 1.07±0.08 [.042±.003] THK | CHK 8-1-91 R. MILLER | APPD 8-7-91 K. KREIDLER | AMP Incorporated Harrisburg, PA 17105-3608 | |
| FINISH HANDLE- COLOR, BLUE END CAPS- COLOR, BLUE | APPD - | PRODUCT SPEC - | NAME TOOL, EXTRACTION, PLCC, 52 POSN. | |
| | APPLICATION SPEC - | WEIGHT - | SIZE B | CAGE CODE 00779 |
| | | | SCALE 1:1 | DRAWING NO 822049 |
| | | | | SHEET - OF - |